

EchoPro[®] LR26

Pulse Radar Liquid Level Transmitter



Application

The intrinsically safe 6.3 GHz. pulse radar transmitter provides continuous level measurement up to 114.8' (35m) with a 4-20 mA analog and HART digital signal output, and is configured via its integral push button display module or HART communicator. The non-contact liquid level sensor is intended for chemical and petroleum storage or process applications in above grade metal or reinforced concrete tanks or below grade tanks of any material. Select this sensor for **extreme process conditions** with corrosive or low dielectric media, heavy surface foam or agitation, higher pressure, steam, condensation or vapor, and installation in a flange fitting. Due to the wider beam angle, special attention should be given to ensure that the sensor is located with unobstructed measurement space. Typical applications include process tanks.



Features

- 316L antenna with PTFE inner shield for corrosive media
- Configuration via push button display or HART communicator
- 6.3 GHz. pulse radar is unaffected by most foam and agitation
- 12" (30cm) dead band enables utilization of the entire tank
- LCD displays level in feet or meters with percent of span bar
- Optional display mode indicates the echo signal return curve
- Fail-safe diagnostics with selectable signal fail-safe outputs
- Recognition, storage and rejection of false echo signal returns
- IP67 stainless enclosure with polycarbonate display window



LR26-5321-40-00 Shown

Performance

The LR26 features a wide beam, low frequency, 6.3 GHz. pulse radar measurement that's unaffected by most process conditions, and is the right choice for extreme applications with significant foam, agitation, steam or pressure. Given the wide beam angle, care should be taken to ensure that the installed sensor has plenty of unobstructed measurement space.



Push Button Display Module

EchoPro[®] LR26

Pulse Radar Liquid Level Transmitter



Specifications

Range:	12" to 114.8' (30cm to 35m)
Frequency:	6.3 GHz.
Accuracy:	± 10mm
Dead band:	12" (30cm)
Beam angle:	20°
Configuration:	Push button, HART 7
Memory:	Non-volatile
Display type:	LCD, dot matrix
Display units:	Feet and meters
Display bar:	Percent of span
Display graph:	Echo signal curve
Supply voltage:	21.6 to 26.4 VDC
Max. consumption:	22.5 mA
Signal output:	4-20 mA, two-wire, HART 7
Signal invert:	4-20 mA, 20-4 mA
Signal fail-safe:	3.9 mA, 20.5 mA, 22 mA
Process temp.:	F: -40° to 266° C: -40° to 130°
Temp. comp.:	Automatic
Storage temp.:	F: -40° to 176° C: -40° to 80°
Pressure:	-14.5 to 580 psi (-1 to 40 bar)
Enclosure rating:	IP67
Encl. material:	316L stainless steel w/silicone gasket
Encl. window mat.:	Polycarbonate
Conduit entrance:	(1) 1/2" NPT connector
Antenna material:	316L w/PTFE inner shield
Process mount:	-40: 4" flange (ANSI) -60: 6" flange (ANSI)
Classification:	Intrinsically safe
Approvals:	ATEX IIG Ex ia II C T6...T3 Ga IEC Ex ia IIC T6...T3 Ga CSA Class I, Div 1, Groups A, B, C & D; Class II, Div 1, Groups E, F & G; (T6... T3); Class I Zone 0 AEx ia IIC (T6... T3) Ga & Zone 20 AEx ia IIIC (T76°C to T146°C) Da; Ex ia IIC (T6...T3) Ga & Ex ia IIIC (T76°C to T146°C) Ga
Certification:	FCC
Compliance:	CE, CRN, RoHS

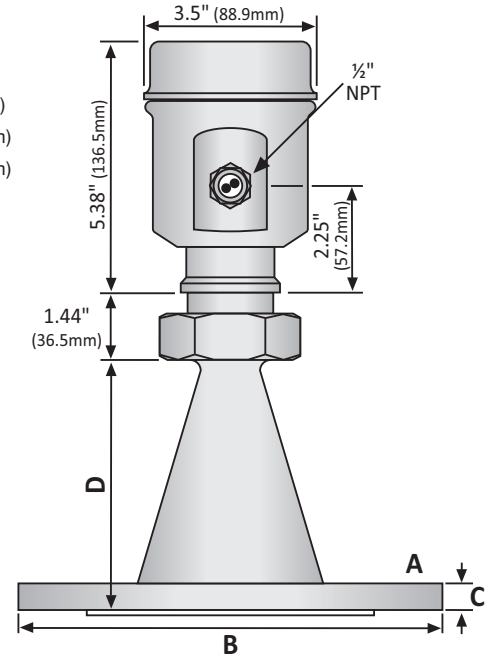
Dimensions

ANTENNA / FLANGE

P/N	-40	-60
A	4" ANSI	6" ANSI
B	9" (228.6mm)	11" (279.4mm)
C	0.57" (14.5mm)	0.63" (16.1mm)
D	5.7" (145mm)	9.7" (247.7mm)



Echo Signal Return Curve



Level Indicator



LI24-1001

DATALOOP[™]

Intrinsically Safe Level Indicator

UL approved intrinsically safe, the loop powered level indicator displays engineering units connected in series with one 4-20 mA level transmitter. Select the LI24-1001 level indicator for hazardous applications with an intrinsically safe sensor. For field mount installation, add a single or two indicator NEMA box.

Ordering

LR26-5321- 0-00

FLANGE SIZE (1)

- 4 4" ANSI
- 6 6" ANSI

NOTES

- 1) If you want help in selecting a sensor for your application, please go to our website and submit a Level Questionnaire. An engineer will review your requirements and suggest a product solution via email.